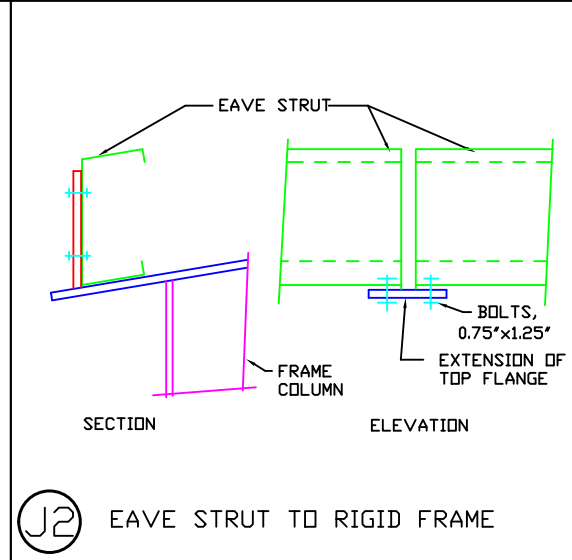
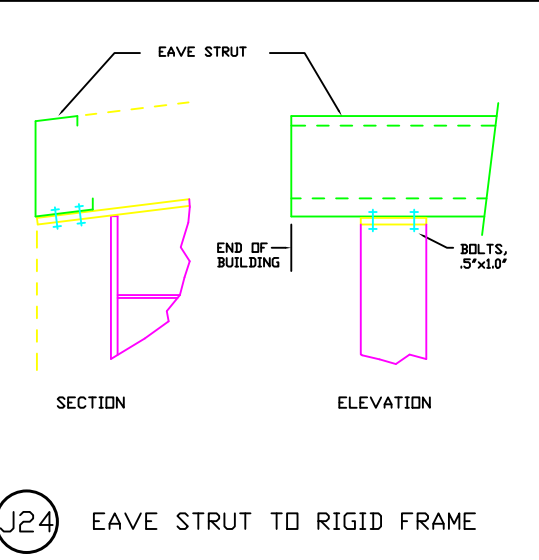


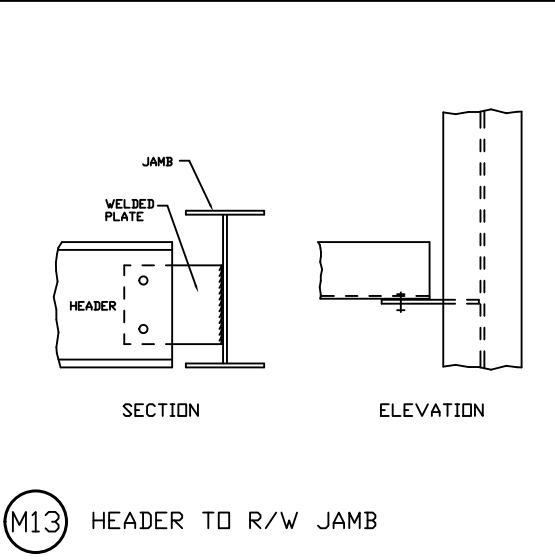
I18 EAVE STRUT TO ENDWALL RAFTER



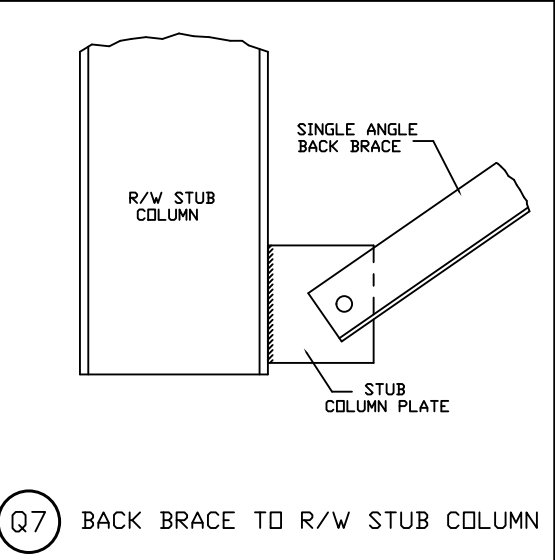
J2 EAVE STRUT TO RIGID FRAME



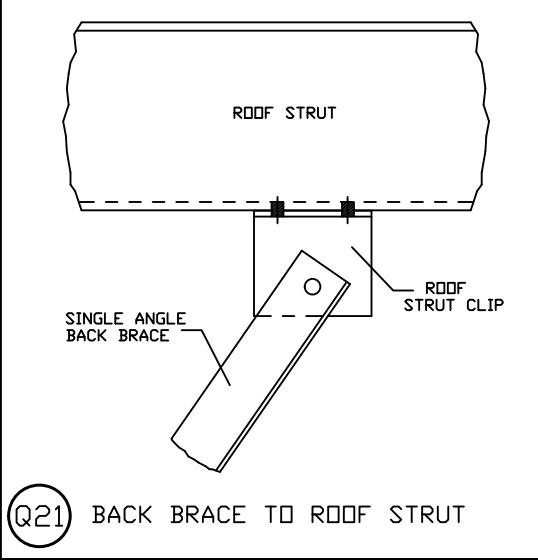
J24 EAVE STRUT TO RIGID FRAME



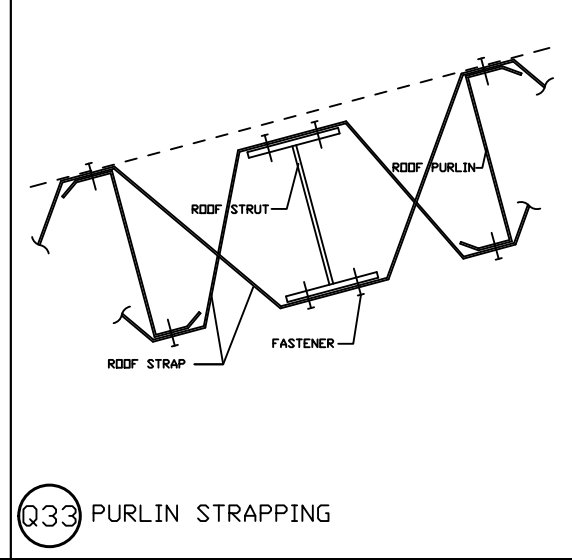
M13 HEADER TO R/W JAMB



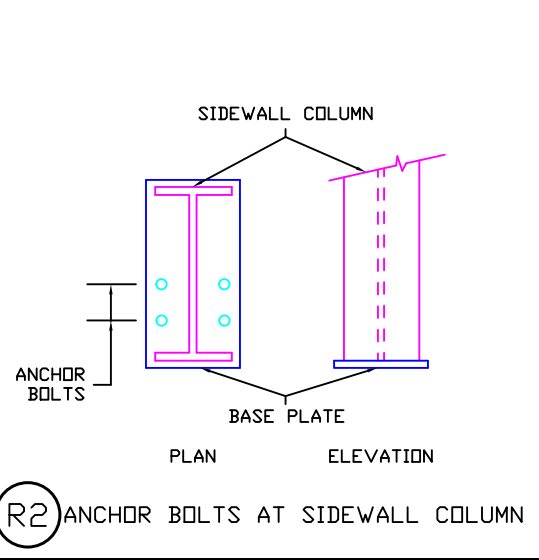
Q7 BACK BRACE TO R/W STUB COLUMN



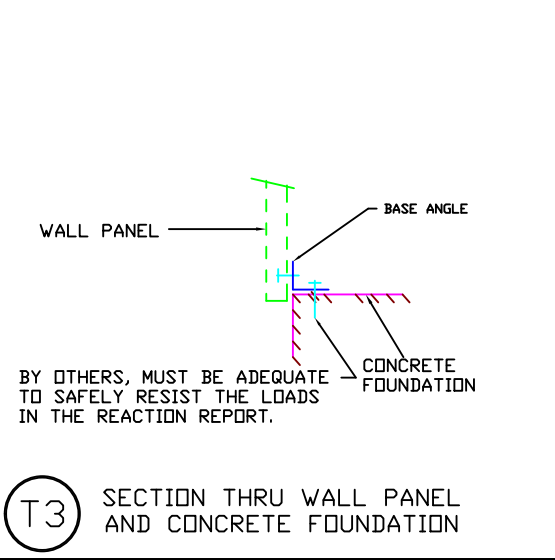
Q21 BACK BRACE TO ROOF STRUT



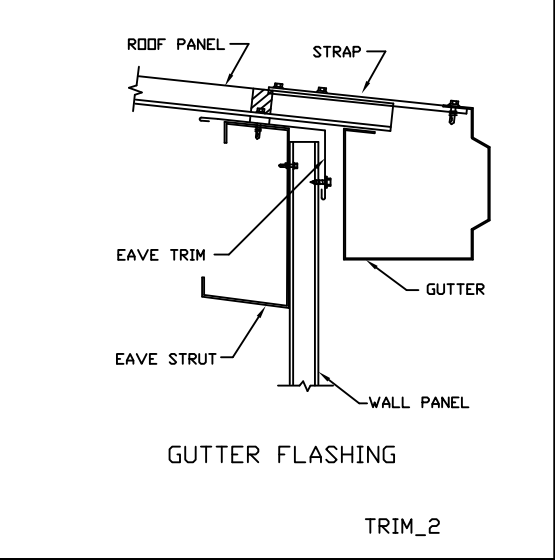
Q33 PURLIN STRAPPING



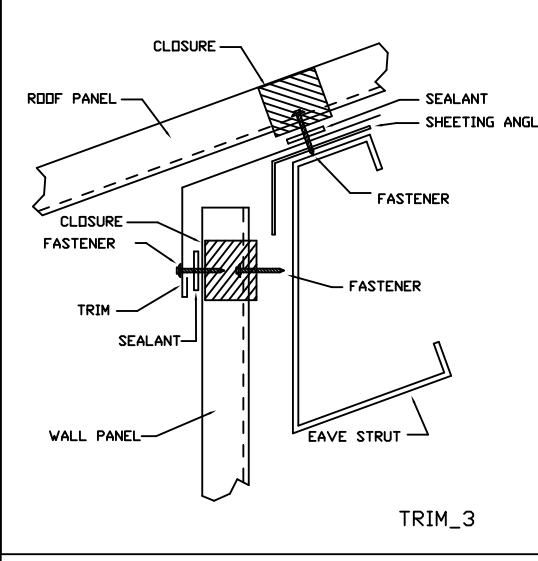
R2 ANCHOR BOLTS AT SIDEWALL COLUMN



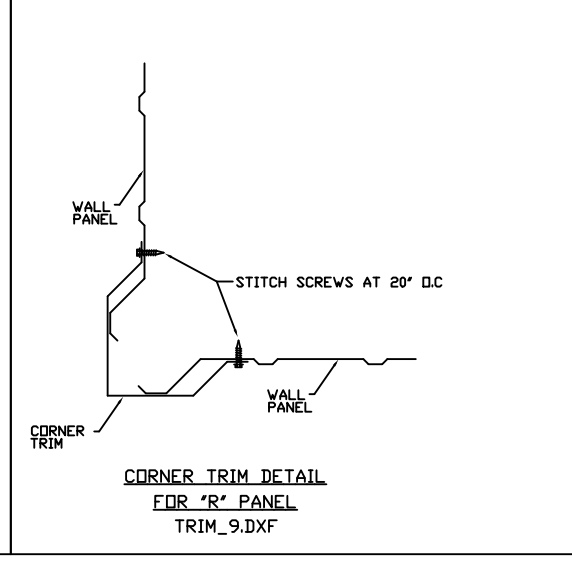
T3 SECTION THRU WALL PANEL AND CONCRETE FOUNDATION



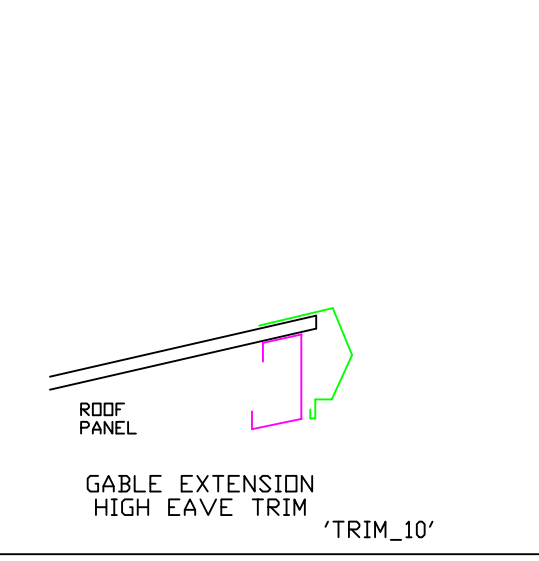
TRIM_2



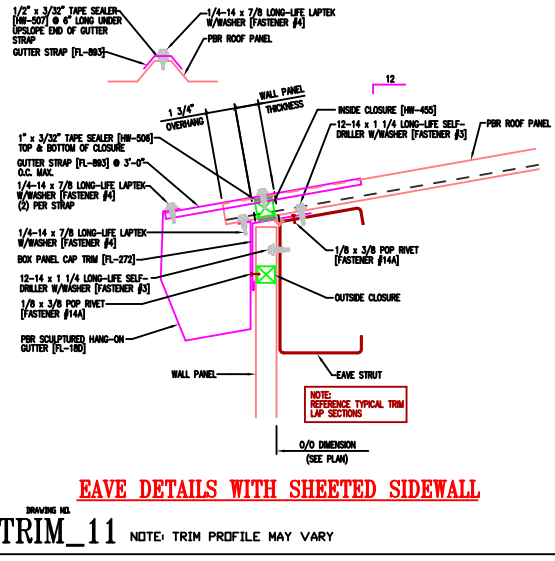
TRIM_3



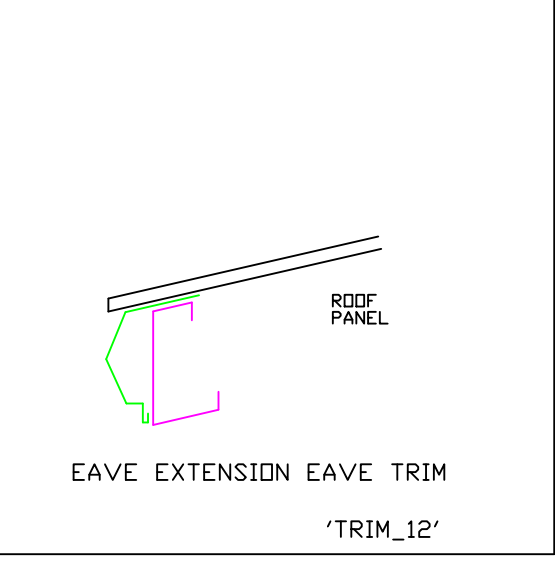
TRIM_9



TRIM_10



TRIM_11



TRIM_12

Metal Building Software, Inc.				
PROJECT	Your New Building	STRUCTURAL DETAILS		
ID	020614	DESIGN:	DRAFT:	CHECK:
PROJECT ADDRESS	1234 Opportunity Boulevard Fargo, North Dakota 58104	DATE: 4/23/2015	SHEET	OF